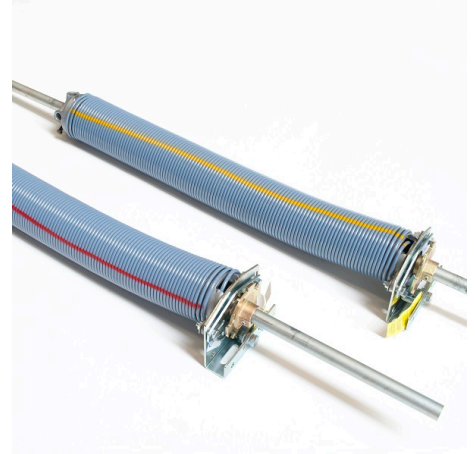
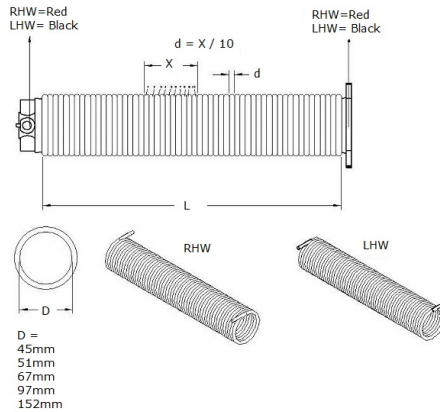


## VL75-3-3250PS Torsion spring

### Images:



### Description:

- |                          |   |
|--------------------------|---|
| - Subcategory            | : 01. Powder Coated   |
| - IND/RES                | : IND   |
| - Full package quantity  | : 1   |
| - Unit                   | : piece (1)   |
| - Weight / Unit          | : 48,3kg  |
| - Material               | : Spring Steel  |
| - Colour                 | : Blue  |
| - Length                 | : 3250mm  |
| - Product Family         | : a 017   |
| - Inside diameter        | : 95mm  |
| - Spring wire diameter   | : 7,5mm   |
| - Commercial description | : Making powder coated springs available on standard lengths!   |
| - Technical description  | : Produced by FlexiForce Hungary, spring wire has, after coiling, received shot peening treatment, powder coating and heat treatment. Coating blue-grey (RAL5014). High-quality appearance! Also available as pre-assembled, fix-to-size spring. Check our spring production movie! |