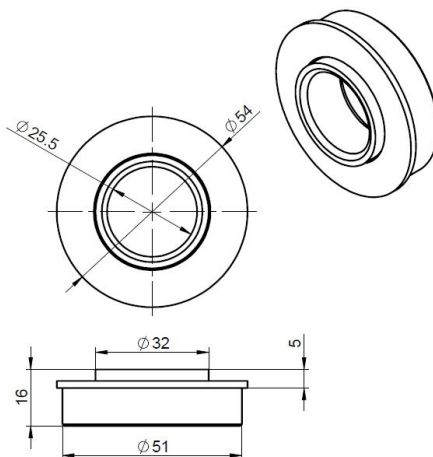


USA-B-HQ Bearing 1"

Images:



Description:

- Subcategory	: 01. Ball
- IND/RES	: BOTH
- Full package quantity	: 200
- Unit	: piece (1)
- Weight / Unit	: 0,11kg
- Material	: Galvanised Steel
- Product Family	: a 001
- Inside diameter	: 1" (25,4mm)
- Max. dynamic load	: 4100N
- Commercial description	: Ball bearing, 1", Ø50.8, high quality, zinc plated