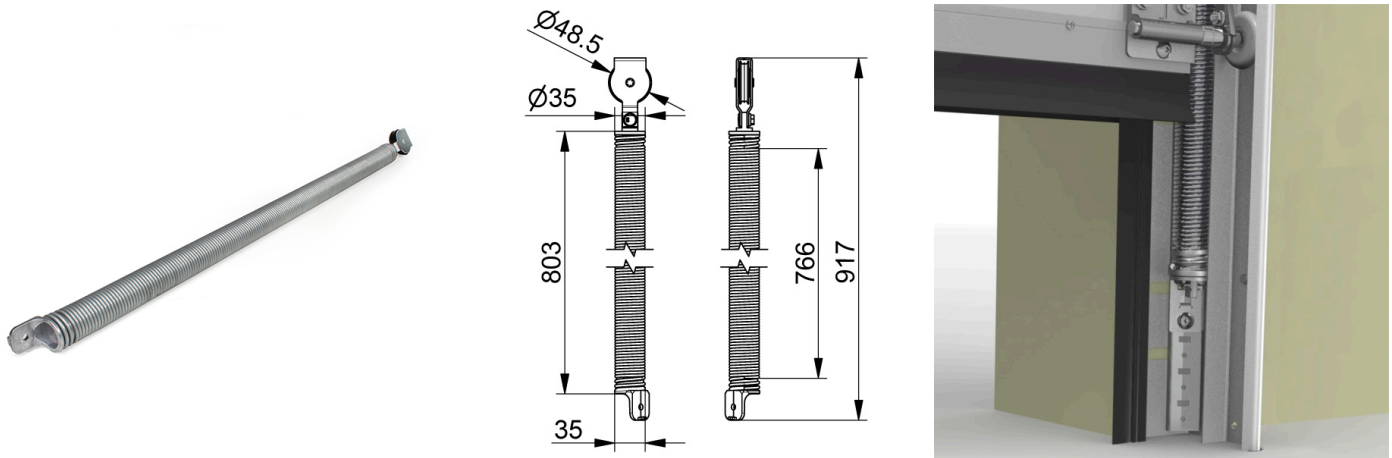


## TSC755-2237 Tension spring

Images:



Description:

|                         |   |
|-------------------------|---|
| - Subcategory           | : 01. Tension springs   |
| - IND/RES               | : RES   |
| - Full package quantity | : 8   |
| - Unit                  | : set (1)   |
| - Weight / Unit         | : 2,49kg  |
| - Material              | : Galvanised spring wire  |
| - Length                | : 938mm   |
| - Width                 | : 39mm  |
| - Product Family        | : a 021   |
| - Inside diameter       | : 35mm  |
| - Max. cable diameter   | : 2,4mm   |
| - Max. door weight      | : 67kg  |
| - Max. performance      | : Max. OPH = 2300mm   |
| - Outside diameter      | : 48,5mm  |
| - Marking               | : TSC755-....   |
| - Technical description | : Balancing the door weight. The spring is mounted inside the vertical track set RSCVT..Z. The spring is completely pre-assembled with lower connection bracket, spring-in-spring and with top bracket including pulley wheel. See manual and separate selection table. |