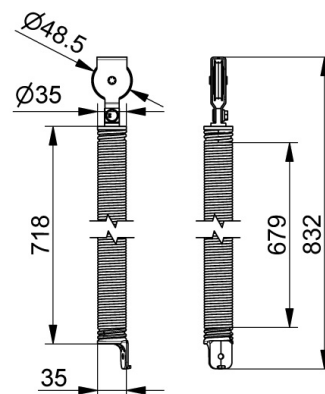
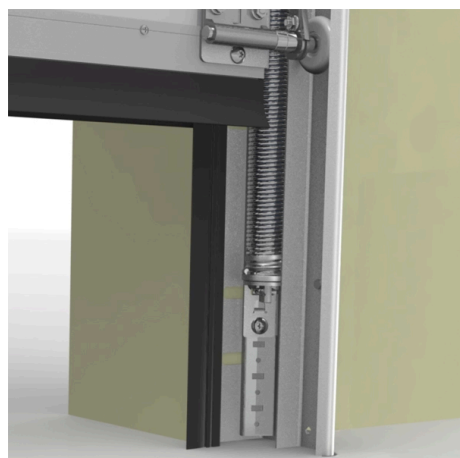


TSC670-2237 Tension spring

Images:



Description:

| | |
|-------------------------|---|
| - Subcategory | : 01. Tension springs |
| - IND/RES | : RES |
| - Full package quantity | : 8 |
| - Unit | : set (1) |
| - Weight / Unit | : 2,25kg |
| - Material | : Galvanised spring wire |
| - Length | : 853mm |
| - Width | : 39mm |
| - Product Family | : a 003 |
| - Inside diameter | : 35mm |
| - Max. cable diameter | : 2,4mm |
| - Max. door weight | : 67kg |
| - Max. performance | : Max. OPH = 2050mm |
| - Outside diameter | : 48,5mm |
| - Marking | : TSC670-.... |
| - Technical description | : Balancing the door weight. The spring is mounted inside the vertical track set RSCVT..Z. The spring is completely pre-assembled with lower connection bracket, spring-in-spring and with top bracket including pulley wheel. See manual and separate selection table. |