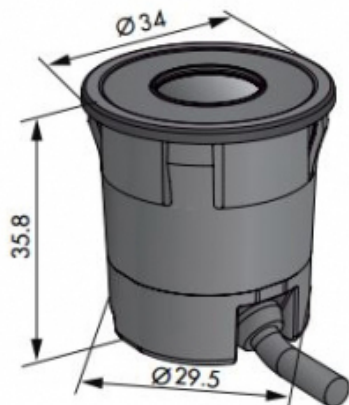


TOF-SPOT Detection sensor

Images:



Description:

- | | |
|--------------------------|---|
| - Subcategory | : Sensors and safety |
| - IND/RES | : BOTH |
| - Full package quantity | : 1 |
| - Unit | : piece (1) |
| - Material | : Polycarbonate |
| - Colour | : Black |
| - Height | : 35,8mm |
| - Width | : 29,5mm |
| - Product Family | : a 084 |
| - Marking | : CEDES |
| - Commercial description | : Touch free detection sensor with exact distance setting, independent from background. |
| - Technical description | : Insensitive to ambient light up to 100.000 Lux |