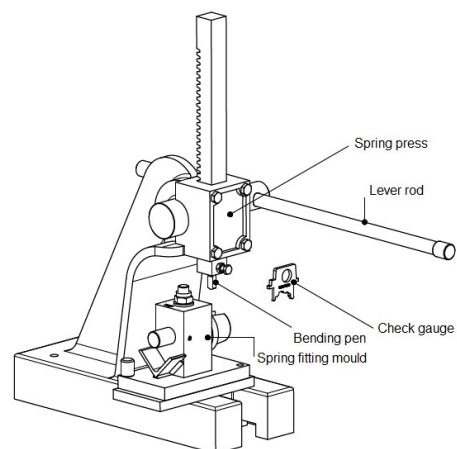
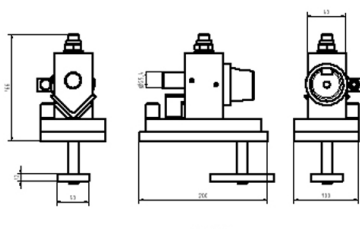
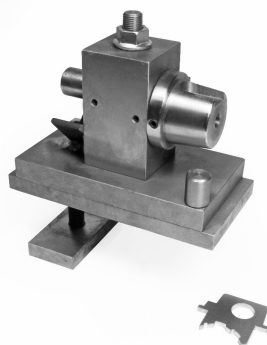


## TBM-INS-200 Spring press mold for FF200

Images:



Description:

- |                          |  |
|--------------------------|--|
| - Subcategory            | : 01. Springs  |
| - IND/RES                | : BOTH   |
| - Full package quantity  | : 1  |
| - Unit                   | : piece (1)  |
| - Weight / Unit          | : 10,045kg   |
| - Product Family         | : a 013  |
| - Marking                | : TBM-INS-200  |
| - Commercial description | : Spring press mold, for FF200 spring fittings including check gauge   |
| - Technical description  | : Press mold for FF200 springs. One side is for stationary plug, other side is for winding plug. After bending of spring wire into the plug, check correct height level with check gauge |