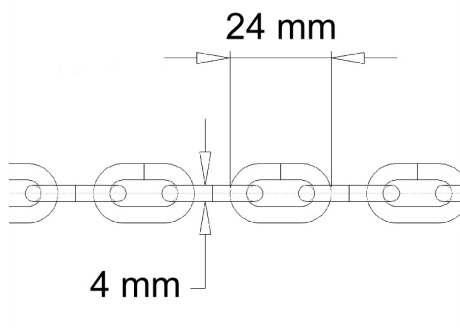


## SDL-NB-HKE Hand chain

Images:



Description:

- |                          |  |
|--------------------------|--|
| - Subcategory            | : Industrial, Nice accessories   |
| - IND/RES                | : IND  |
| - Full package quantity  | : 1  |
| - Unit                   | : piece (1)  |
| - Material               | : Galvanised Steel   |
| - Product Family         | : a 109  |
| - Commercial description | : extra length for Nice chains, 1 piece of 100m  |
| - Technical description  | : To lengthen the standard chain of Nice operators. Connect chains with SDL-NB-HKENG chain link. |