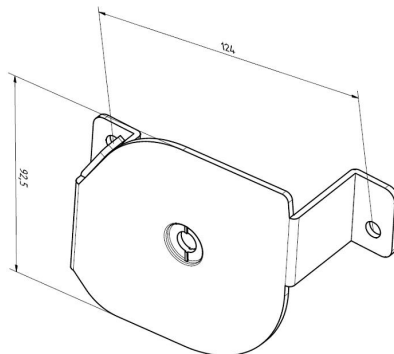
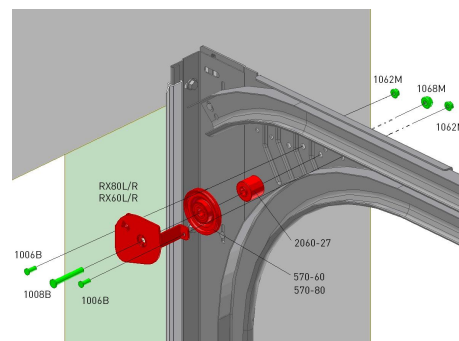


## RX80L Bracket cable pulley

Images:



LH



Description:

- |                          |   |
|--------------------------|---|
| - Subcategory            | : 03. Others  |
| - IND/RES                | : RES   |
| - Full package quantity  | : 50  |
| - Unit                   | : piece (1)   |
| - Weight / Unit          | : 0,25kg  |
| - Material               | : Galvanised Steel  |
| - Height                 | : 92,5mm  |
| - Length                 | : 124mm   |
| - Product Family         | : 26 Cable pulleys  |
| - Left / Right           | : Left  |
| - Commercial description | : Improved version  |
| - Technical description  | : The cable pulley bracket prevents run-off of the cable from the pulley at our RES-X rear system |