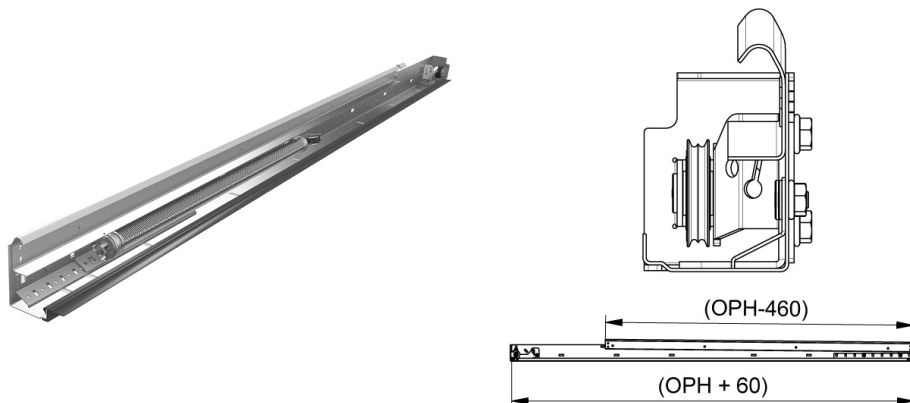


RSCVT10Z Vertical track set

Images:



Description:

| | |
|--------------------------|--|
| - Subcategory | : 01. Vertical track set / tension / RSCVT |
| - IND/RES | : RES |
| - Full package quantity | : 25 |
| - Unit | : pair (2) |
| - Weight / Unit | : 12,8kg |
| - Material | : Galvanised Steel |
| - Length | : 2060mm |
| - Thickness | : 1,5mm |
| - Product Family | : a 007 |
| - Marking | : RSCVT..Z FF |
| - Commercial description | : Part of updated RSC-T residential tension spring system. |
| - Technical description | : Pre-assembled, riveted, vertical track set consists of vertical angle (915VL..), open track (215V..), integrated connection for TSC springs and pre-assembled top pulley. Add side seal 1088! See manual for installation. |