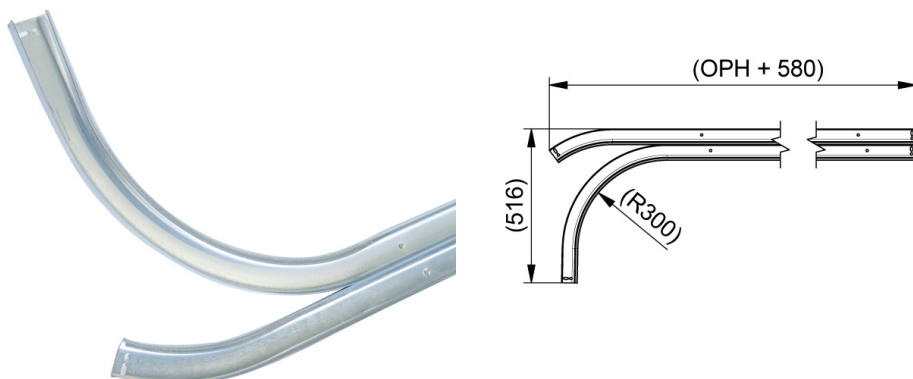


RSCHT10 Horizontal track set

Images:



Description:

- Subcategory	: 10. Horizontal track sets / RSCHT
- IND/RES	: RES
- Full package quantity	: 25
- Unit	: pair (2)
- Weight / Unit	: 12kg
- Material	: Galvanised Steel
- Length	: 2580mm
- Thickness	: 1,5mm
- Product Family	: a 080
- Marking	: RSCHT.. FF
- Commercial description	: Part of complete RSC-T 2.0 residential system.
- Technical description	: Pre-assembled, riveted, horizontal track set consists of upper curve, lower curves, connection bracket, track connection plates (835). Combine with RSCVT..Z vertical track sets. See installation manual.