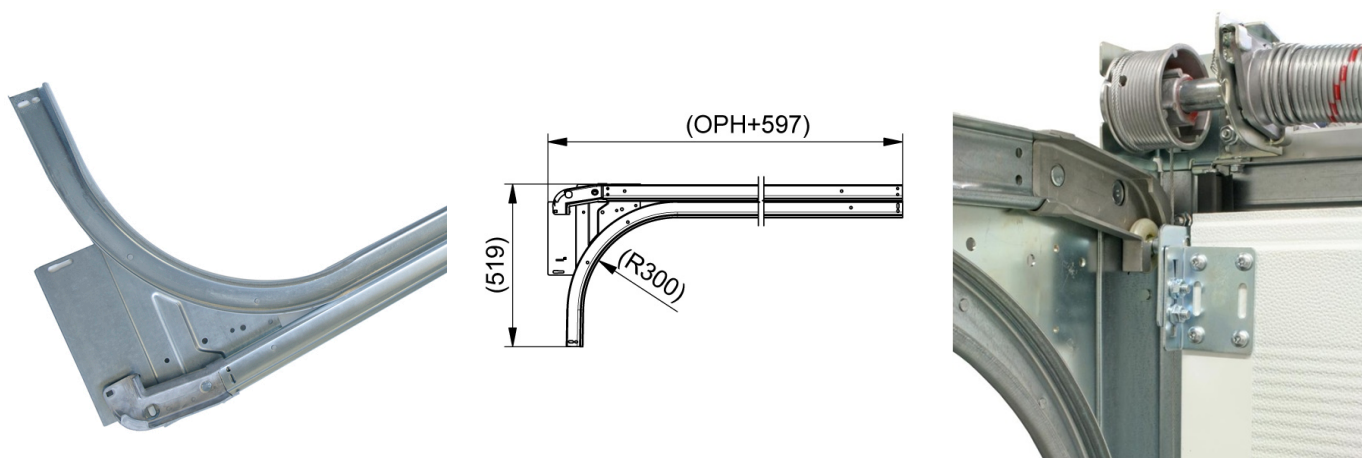


## RSCHM70 Horizontal track set

Images:



Description:

|                         |  |
|-------------------------|--|
| - Subcategory           | : 08. Horizontal track sets / RSCHM  |
| - IND/RES               | : RES  |
| - Full package quantity | : 25   |
| - Unit                  | : pair (2)   |
| - Weight / Unit         | : 9,39kg   |
| - Material              | : Galvanised Steel   |
| - Length                | : 3597mm   |
| - Thickness             | : 1,5mm  |
| - Product Family        | : a 064  |
| - Max. door weight      | : 225kg  |
| - Marking               | : RSCHM FF   |
| - Technical description | : Pre-assembled, riveted, horizontal track set consists of upper curves (215FL/R, burglar resistant!) lower curves (215G....-300), side plates and track connection plates (835). Order pulley construction separately for springs in rear. Combine with RSCVL(C) or RSCVB(C) vertical track sets. |