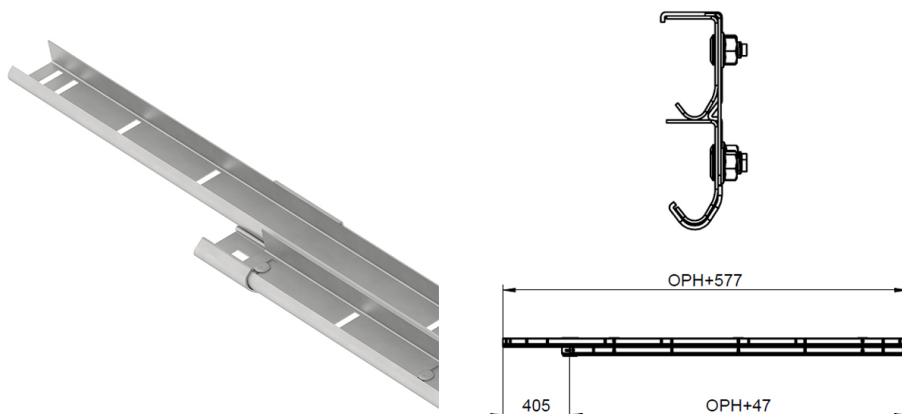


## RSCHA2125 Horizontal track set

Images:



Description:

- |                          |  |
|--------------------------|--|
| - IND/RES                | : RES  |
| - Full package quantity  | : 25   |
| - Unit                   | : pair (2)   |
| - Weight / Unit          | : 11,51kg  |
| - Material               | : Galvanised Steel   |
| - Thickness              | : 1,5mm  |
| - Product Family         | : a 001  |
| - Max. door weight       | : 225kg  |
| - Commercial description | : RSC Bolted, horizontal set (L+R), alu curve, OPH 2125mm  |
| - Technical description  | : Double horizontal track 215V for a 215FHR/L aluminum top curve with roller lock-up. Use 215G300A0 for the bottom curve. Apply for torsion springs in front, torsion springs in rear and tension springs. |