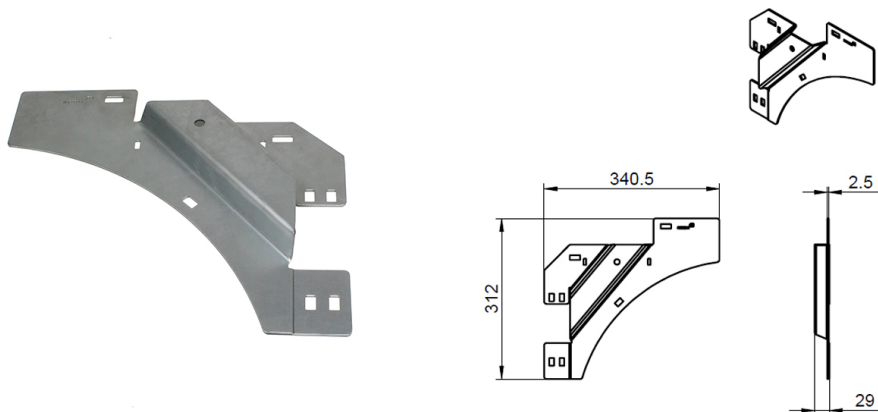


RSC580HL Side plate

Images:



Description:

- Subcategory	: 04. Side plates
- IND/RES	: RES
- Full package quantity	: 20
- Unit	: piece (1)
- Weight / Unit	: 1,02kg
- Material	: Galvanised Steel
- Height	: 341mm
- Width	: 29mm
- Thickness	: 2,5mm
- Product Family	: a 001
- Left / Right	: Left
- Commercial description	: RSC Bolted, side plate, left
- Technical description	: side plate for springs in rear and optional for springs in front