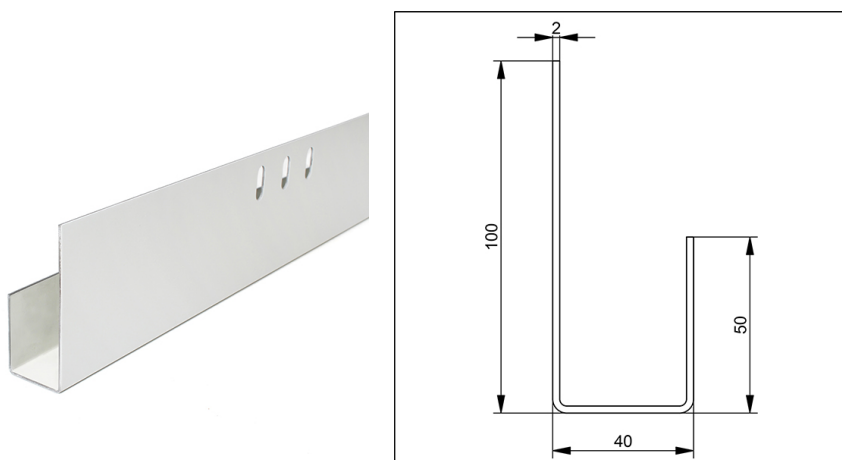


RPW5000 Wall profile

Images:



Description:

- Subcategory	: 03. Vertical Angles - Others
- IND/RES	: RES
- Full package quantity	: 24
- Unit	: piece (1)
- Weight / Unit	: 14,35kg
- Material	: Galvanised Steel
- Height	: 40mm
- Length	: 5000mm
- Width	: 100mm
- Thickness	: 2mm
- Product Family	: a 030
- Technical description	: Wall profile to create mounting surface for vertical tracks when there is not enough side space. The profile also covers wall deviations on the outside. Pre-painted white, ready to install. Contains several slotted holes for easy fixation on the inside. Fits to all RSC tracksets.