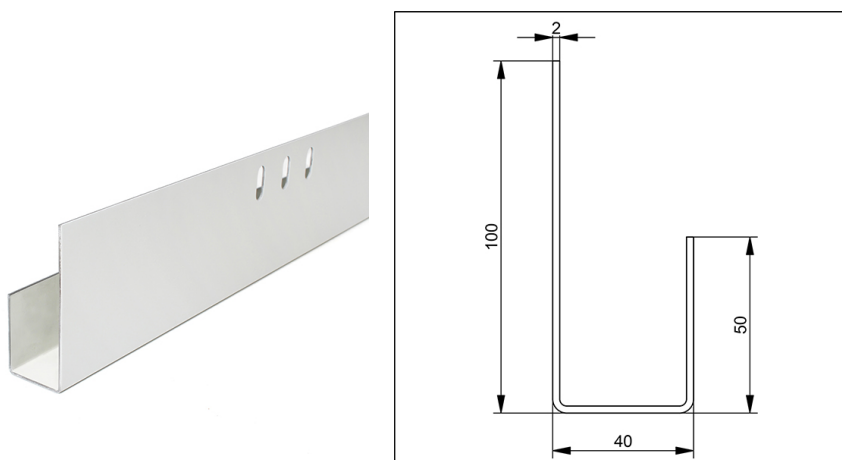


RPW3000 Wall profile

Images:



Description:

- | | |
|-------------------------|--|
| - Subcategory | : 03. Vertical Angles - Others |
| - IND/RES | : RES |
| - Full package quantity | : 24 |
| - Unit | : piece (1) |
| - Weight / Unit | : 8,61kg |
| - Material | : Galvanised Steel |
| - Height | : 40mm |
| - Length | : 3000mm |
| - Width | : 100mm |
| - Thickness | : 2mm |
| - Product Family | : a 029 |
| - Technical description | : Wall profile to create mounting surface for vertical tracks when there is not enough side space. The profile also covers wall deviations on the outside. Pre-painted white, ready to install. Contains several slotted holes for easy fixation on the inside. Fits to all RSC tracksets. |