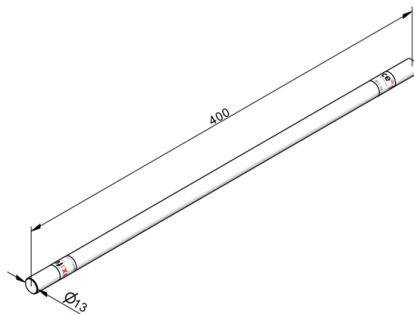


## RES-TB Tension bar

### Images:



### Description:

- Subcategory	: 01. Springs
- IND/RES	: RES
- Full package quantity	: 20
- Unit	: piece (1)
- Weight / Unit	: 0,418kg
- Material	: Galvanised Steel
- Length	: 400mm
- Product Family	: a 028
- Inside diameter	: 13mm
- Marking	: RES-TB FF
- Technical description	: A service product, to add to door supplies to customers. Simple tension bar for use on spring winding plugs size 44,5 - 50,8 and 67mm on residential doors. Labels are placed to be able to see how far it is inserted in the hole of the winding plug.