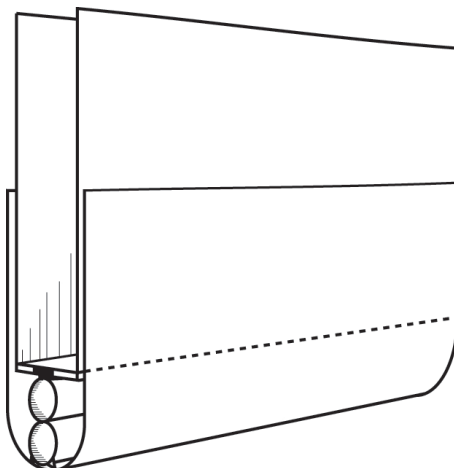


SecDoorMag W=480mm L=9,2 m wire mesh Magnetic seal for overhead doors

Images:



Description:

- IND/RES : BOTH
- Full package quantity : 1
- Unit : Rol (1)
- Commercial description : DoorMag is more than just a sealing solution it's the first line of defense against rodents and pests infiltrating buildings. With its patented magnetic attachment, DoorMag creates a barrier that keeps rodents out, while also protecting workspace from dust, moisture and drafts. Protect stock, all with a fast and hassle-free installation. Also available: Side brackets to protect side seal order here. Interested in large quantities? We offer special pricing for large volume orders. Please contact our sales team directly to discuss your requirements and receive a tailored offer.
- Technical description : DoorMag W = 480 mm L 9,2 m
 - Sectional Door seal
 - Patented
 - For sectional doors
 - Seal with magnetic assembly
 - Quick assembly without tools
 - Intended as additional seal over existing lower rubber
 - Ideal for compensating slanted floors
 - With rodent-resistant net insert
 - Standard colour RAL 7016
 - Size 480 for bottom sections with large lower rubbers
 - For aluminium panels use adapter band MSAB10