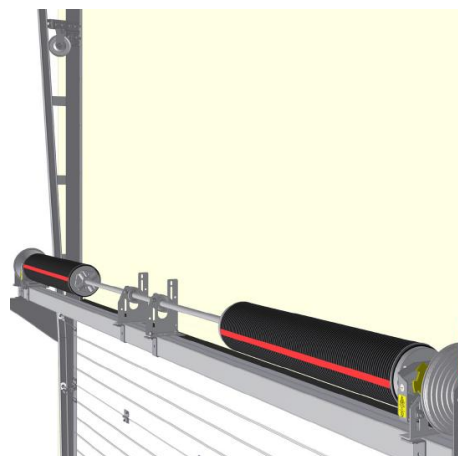
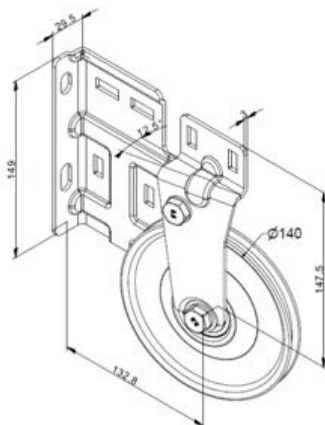
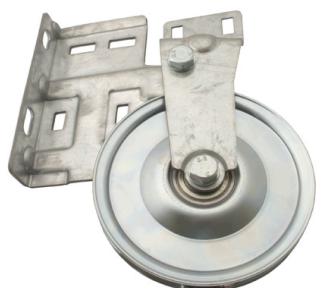


IND554R Pulley assembly

Images:



Description:

- Subcategory : 02. DS/IND
- IND/RES : IND
- Full package quantity : 6
- Unit : set (1)
- Weight / Unit : 1,46kg
- Material : Galvanised Steel
- Height : 149mm
- Length : 132,8mm
- Width : 29,5mm
- Product Family : 15 Cable pulleys
- Left / Right : Right
- Max. cable diameter : 6mm
- Max. door weight : 600kg
- Outside diameter : 140mm
- Marking : FF IND554L
- Technical description : Supplied pre-assembled. Fix to wall through vertical angle, onto the hor.profile. Advised distance between center shaft and center pulley wheel at HL min. 1100mm and at VL min. 1350mm (FFVL11) or 1900mm (FFVL18).