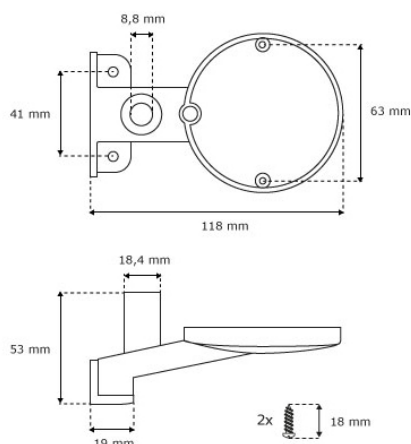


FLA1-LED Flashing light

Images:



Description:

- | | |
|--------------------------|---|
| - Subcategory | : Sensors and safety |
| - IND/RES | : BOTH |
| - Full package quantity | : 1 |
| - Unit | : piece (1) |
| - Weight / Unit | : 0,23kg |
| - Height | : 63mm |
| - Length | : 118mm |
| - Width | : 53mm |
| - Product Family | : a 063 |
| - Marking | : Liftmaster |
| - Commercial description | : strobe |
| - Technical description | : When connected to a LiftMaster Garage Door Opener (or Gate Opener) the light will flash when the door is in motion. Provides an additional measure of safety to the installation. Includes: lamp assembly, mounting hardware and LED. |