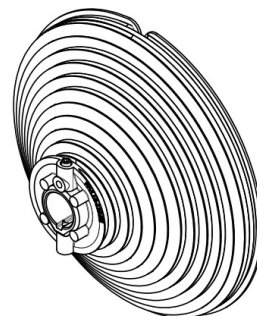
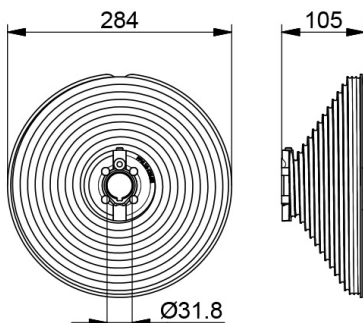


## FFVL18-125 Cable drum

Images:



### Description:

- Subcategory	: 04. Industrial - VL
- IND/RES	: IND
- Full package quantity	: 5
- Unit	: pair (2)
- Weight / Unit	: 4kg
- Material	: Aluminium
- Length	: 105mm
- Product Family	: 17 Cable drums
- Inside diameter	: 31,8mm
- Max. cable diameter	: 5mm
- Max. door weight	: H = 4000mm, 600kg. H>4000mm, 500kg.
- Outside diameter	: 284mm
- Safety windings	: 2
- Shaft Size	: 1 1/4"
- Marking	: Red = Left, Black = Right
- Technical description	: Lifting cable provided with terminal (pressed Aluminium sleeve) can be hooked into camber of the drum or passed through drum and fixed with a hollow-head screw. Easy cable adjustment. Drum will be fixed to shaft through key by 1 hollow-head screw M8. Part of Value Pack Speed.