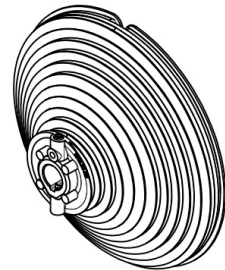
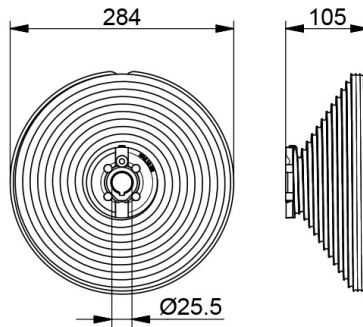


FFVL18 Cable drum

Images:



Description:

- Subcategory : 04. Industrial - VL
- IND/RES : IND
- Full package quantity : 5
- Unit : pair (2)
- Weight / Unit : 3,9kg
- Material : Aluminium
- Length : 105mm
- Product Family : 16 Cable drums
- Inside diameter : 25,5mm
- Max. cable diameter : 5mm
- Max. door weight : H = 4000mm, 600kg. H>4000mm, 500kg.
- Outside diameter : 284mm
- Safety windings : 2
- Shaft Size : 1"
- Marking : Red = Left, Black = Right
- Technical description : Lifting cable provided with terminal (pressed Aluminium sleeve) can be hooked into camber of the drum or passed through drum and fixed with a hollow-head screw. Easy cable adjustment. Drum will be fixed to shaft through key by 1 hollow-head screw M8.