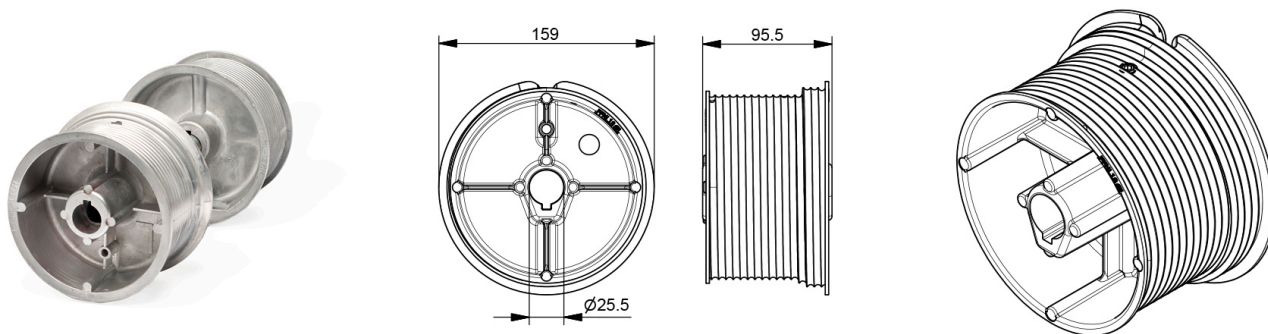


FFNL18 Cable drum

Images:



Description:

- Subcategory	: 02. Industrial - NL
- IND/RES	: IND
- Full package quantity	: 10
- Unit	: pair (2)
- Weight / Unit	: 1,23kg
- Material	: Aluminium
- Length	: 95,5mm
- Product Family	: 08 Cable drums
- Inside diameter	: 25,5mm
- Max. cable diameter	: 5mm
- Max. door weight	: 500kg
- Outside diameter	: 159mm
- Safety windings	: 2
- Shaft Size	: 1"
- Marking	: Red = Left, Black = Right
- Technical description	: Cable with terminal (alu sleeve) can be hooked into camber of drum. The cable also can be passed through the drum, fixed with a hollow-head screw. This gives easy length adjustment. Fixation to the shaft through the key by one hollow-head screw M8.