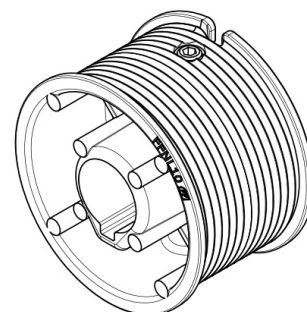
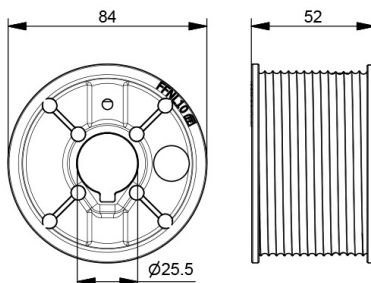


FFNL10 Cable drum

Images:



Description:

- Subcategory	: 01. Residential
- IND/RES	: BOTH
- Full package quantity	: 25
- Unit	: pair (2)
- Weight / Unit	: 0,5kg
- Material	: Aluminium
- Length	: 52mm
- Product Family	: 04 Cable drums
- Inside diameter	: 25,5mm
- Max. cable diameter	: 3mm
- Max. door weight	: 192kg
- Outside diameter	: 84mm
- Safety windings	: 0.5
- Shaft Size	: 1"
- Marking	: Red = Left, Black = Right
- Technical description	: Ideal for residential doors, springs in front to reach LHR built-in. Cable is not adjustable when equipped with terminal. Adjustment with M8 bolt like other drums. Suitable for tube shaft application with setscrew.