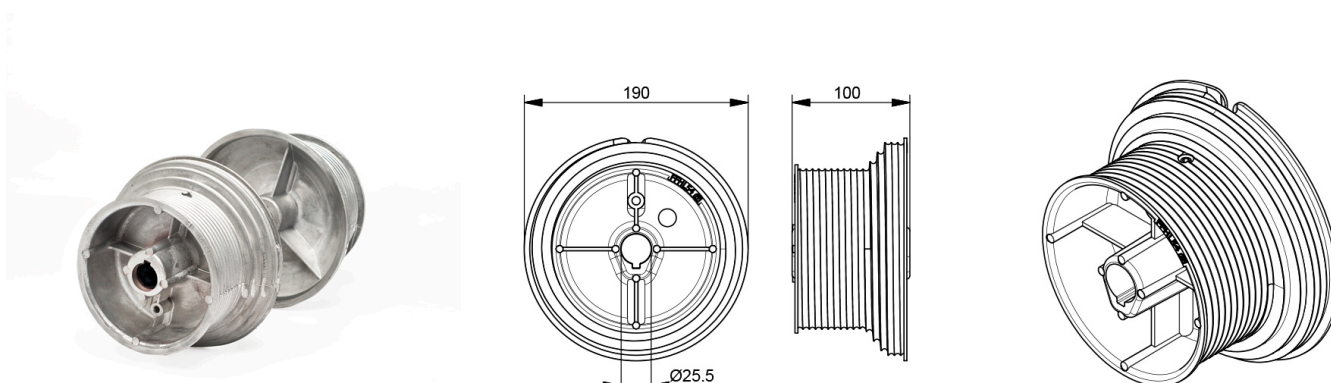


FFHL54 Cable drum

Images:



Description:

- Subcategory	: 03. Industrial - HL
- IND/RES	: IND
- Full package quantity	: 10
- Unit	: pair (2)
- Weight / Unit	: 2,0kg
- Material	: Aluminium
- Length	: 100mm
- Product Family	: 11 Cable drums
- Inside diameter	: 25,5mm
- Max. cable diameter	: 5mm
- Max. door weight	: 500kg
- Outside diameter	: 190mm
- Safety windings	: 2
- Shaft Size	: 1"
- Marking	: Red = Left, Black = Right
- Technical description	: Lifting cable provided with terminal (pressed Aluminium sleeve) can be hooked into camber of the drum, or passed through drum and fixed with hollow-head screw. Easy cable length adjustment. Drum fixed to shaft through the key by 1 screw hollow head M8.