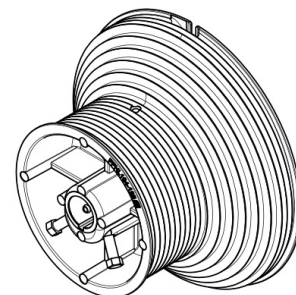
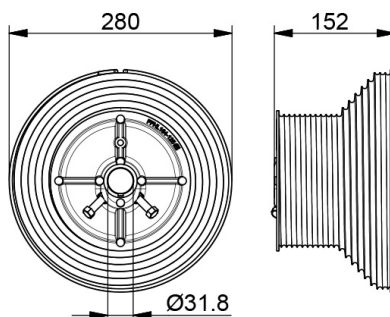


FFHL164-125 Cable drum

Images:



Description:

- Subcategory : 03. Industrial - HL
- IND/RES : IND
- Full package quantity : 3
- Unit : pair (2)
- Weight / Unit : 6,0kg
- Material : Aluminium
- Length : 152mm
- Product Family : 14 Cable drums
- Inside diameter : 31,8mm
- Max. cable diameter : 6mm
- Max. door weight : HL=2500mm, 650kg. HL>2500mm, 575kg.kg
- Outside diameter : 280mm
- Safety windings : 2
- Shaft Size : 1 1/4"
- Marking : Red = Left, Black = Right
- Technical description : Lifting cable provided with terminal (pressed Aluminium sleeve) hooked into drum camber, or passed through drum, fixed with hollow-head screw. Thus cable length easy to adjust. Drum fixed to shaft through key by one hollow-head screw M8 and extra 2 bolts. Part of Value Pack Speed.