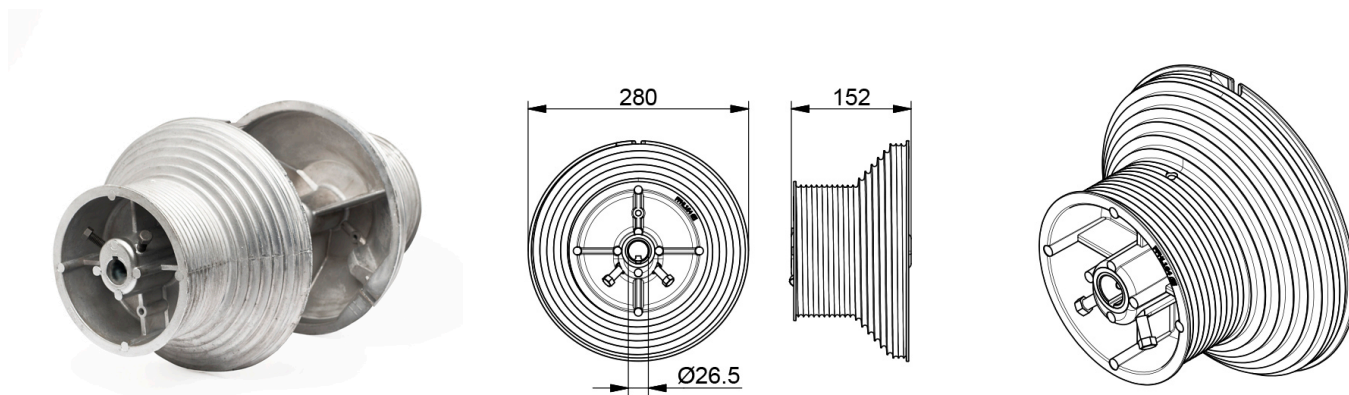


## FFHL164 Cable drum

### Images:



### Description:

- Subcategory	: 03. Industrial - HL
- IND/RES	: IND
- Full package quantity	: 3
- Unit	: pair (2)
- Weight / Unit	: 6,0kg
- Material	: Aluminium
- Length	: 152mm
- Product Family	: 13 Cable drums
- Inside diameter	: 26,5mm
- Max. cable diameter	: 6mm
- Max. door weight	: HL= 2500mm, 650kg. HL>2500mm, 575kg.kg
- Outside diameter	: 280mm
- Safety windings	: 2
- Shaft Size	: 1"
- Marking	: Red = Left, Black = Right
- Technical description	: Lifting cable provided with terminal (pressed Aluminium sleeve) hooked into drum camber, or passed through drum, fixed with hollow-head screw. Thus cable length easy to adjust. Drum fixed to shaft through key by one hollow-head screw M8 and extra 2 bolts