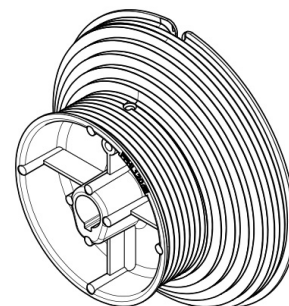
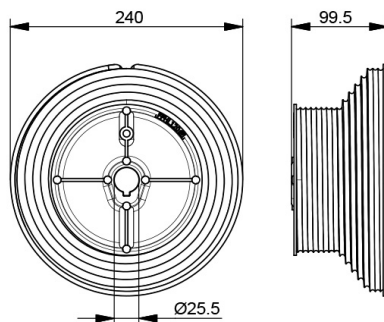


## FFHL120 Cable drum

### Images:



### Description:

- Subcategory	: 03. Industrial - HL
- IND/RES	: IND
- Full package quantity	: 5
- Unit	: pair (2)
- Weight / Unit	: 2,8kg
- Material	: Aluminium
- Length	: 99,5mm
- Product Family	: 12 Cable drums
- Inside diameter	: 25,5mm
- Max. cable diameter	: 5mm
- Max. door weight	: HL =2500mm, 500kg. HL > 2500mm, 450kg
- Outside diameter	: 240mm
- Safety windings	: 2
- Shaft Size	: 1"
- Marking	: Red = Left, Black = Right
- Technical description	: Lifting cable provided with terminal (pressed Aluminium sleeve) can be hooked into camber of drum or be passed through drum and fixed with a hollow-head screw. Easy to adjust. Fixed to shaft through key by one hollow-head screw M8.