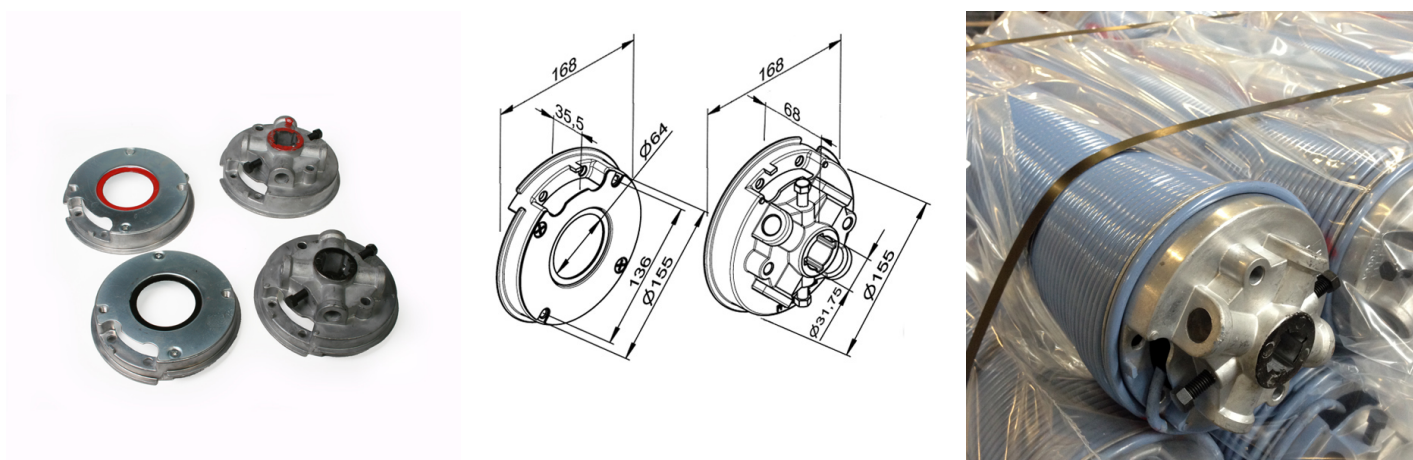


FF600N125 Spring fittings

Images:



Description:

- Subcategory : 01. Fittings
- IND/RES : IND
- Full package quantity : 5
- Unit : set (4)
- Weight / Unit : 3,7kg
- Material : Aluminium
- Product Family : a 009
- Inside diameter : 1 1/4"
- Max. torque : 28Nm on setscrew
- Outside diameter : 152mm
- Spring wire diameter : 7,5mm - 13mm
- Commercial description : New version with bigger secure hole for the spring wire (automated production)
- Technical description : Non-universal. Per set 2 winding cones and 2 stationary cones. Centre line of fixing holes of stationary cone is 136mm. Cones are provided with two installed fixing screws.