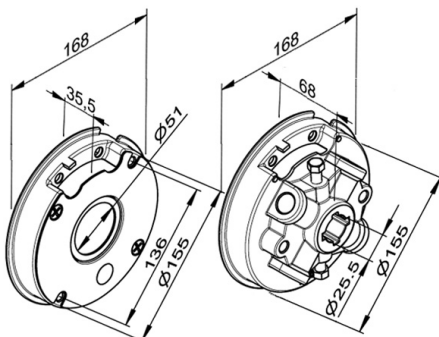


## FF600N Spring fittings

Images:



### Description:

- Subcategory : 01. Fittings
- IND/RES : IND
- Full package quantity : 5
- Unit : set (4)
- Weight / Unit : 3,9kg
- Material : Aluminium
- Product Family : a 008
- Inside diameter : 1"
- Max. torque : 28Nm on setscrew
- Outside diameter : 152mm
- Spring wire diameter : 7,5mm - 13mm
- Marking : Red = Right, Black = Left
- Commercial description : New version with bigger secure hole for the spring wire (automated production)
- Technical description : Non-universal. Per set 2 winding cones and 2 stationary cones. Centre line of fixing holes of stationary cone is 136mm. Cones are provided with two installed fixing screws.