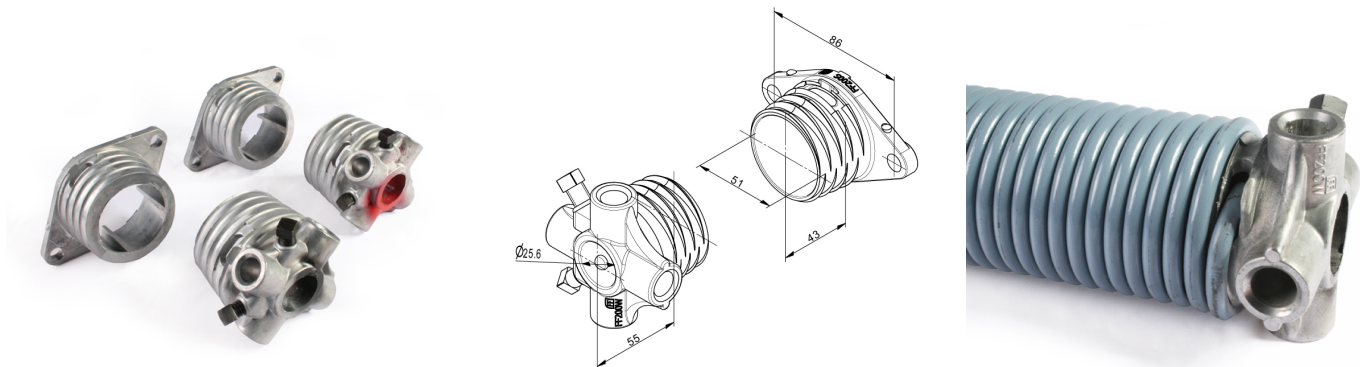


FF200 Spring fittings

Images:



Description:

- Subcategory	: 01. Fittings
- IND/RES	: BOTH
- Full package quantity	: 25
- Unit	: set (4)
- Weight / Unit	: 0,54kg
- Material	: Aluminium
- Product Family	: a 002
- Inside diameter	: 1"
- Max. torque	: 20Nm on setscrew
- Outside diameter	: 51 mm
- Spring wire diameter	: 4,5mm - 6mm
- Marking	: Red = Right, Black = Left
- Commercial description	: Replaces FF200TAI, FSW51
- Technical description	: Universal. Per set 2 winding cones and 2 stationary cones. Centre line of fixing holes of stationary cone is 86mm. Cones are marked red and black and are provided with two installed fixing screws.