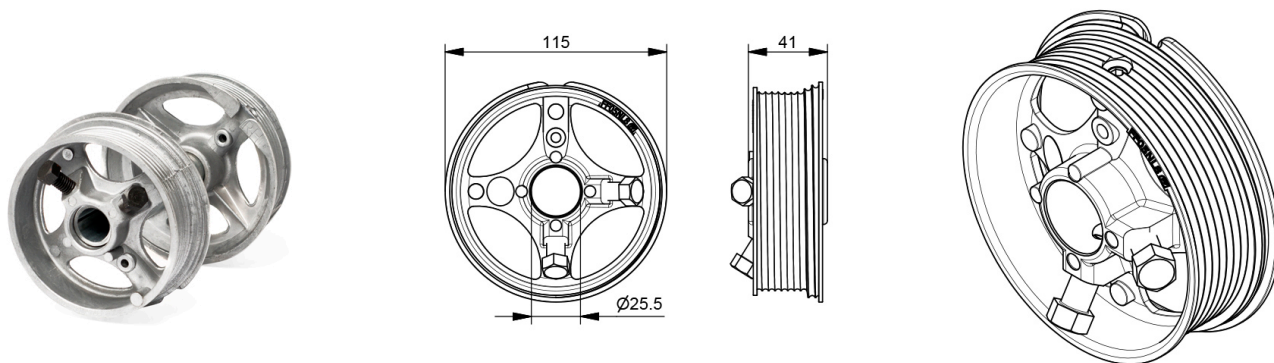


## FF05NL8 Cable drum

### Images:



### Description:

- Subcategory	: 01. Residential
- IND/RES	: RES
- Full package quantity	: 30
- Unit	: pair (2)
- Weight / Unit	: 0,35kg
- Material	: Aluminium
- Length	: 41mm
- Product Family	: 02 Cable drums
- Inside diameter	: 25,5mm
- Max. cable diameter	: 3mm
- Max. door weight	: 245kg
- Outside diameter	: 115mm
- Safety windings	: 0.5
- Shaft Size	: 1"
- Marking	: RH, LH
- Commercial description	: side-screws
- Technical description	: Max. H with 2 safety wraps is 2005mm. Cable provided with a terminal (pressed alu sleeve) can be hooked into camber of the drum. Drum fixed directly to shaft with 2x3/8inch bolts (hexagon).