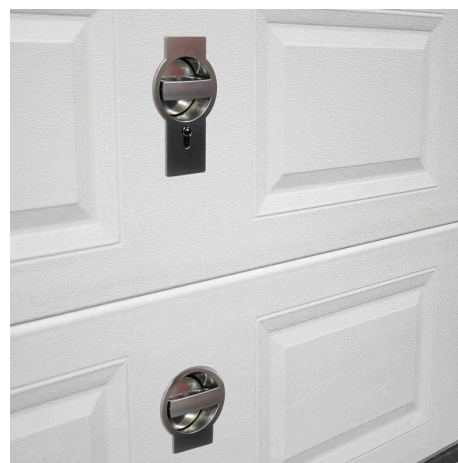
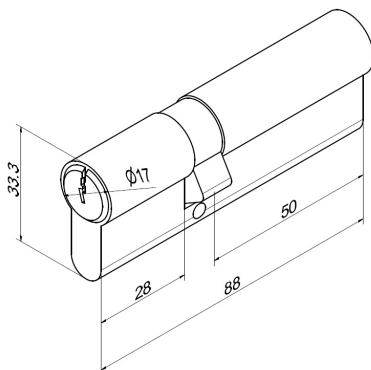


## C88-5028-2 Euro-cylinder

Images:



Description:

- |                          |   |
|--------------------------|---|
| - Subcategory            | : 04. Others  |
| - IND/RES                | : RES   |
| - Full package quantity  | : 5   |
| - Unit                   | : piece (1)   |
| - Weight / Unit          | : 0,19kg  |
| - Material               | : Galvanised Steel  |
| - Height                 | : 33,3mm  |
| - Length                 | : 88mm  |
| - Product Family         | : a 044   |
| - Eurocylinder           | : Yes   |
| - Keyhole                | : Yes   |
| - Outside diameter       | : 17mm  |
| - Commercial description | : 2-sides, DIN18252   |
| - Technical description  | : Euro cylinder that has to be ordered separately for lock 650RAL/RBL. Allows you to make a key-plan solution for the building. |