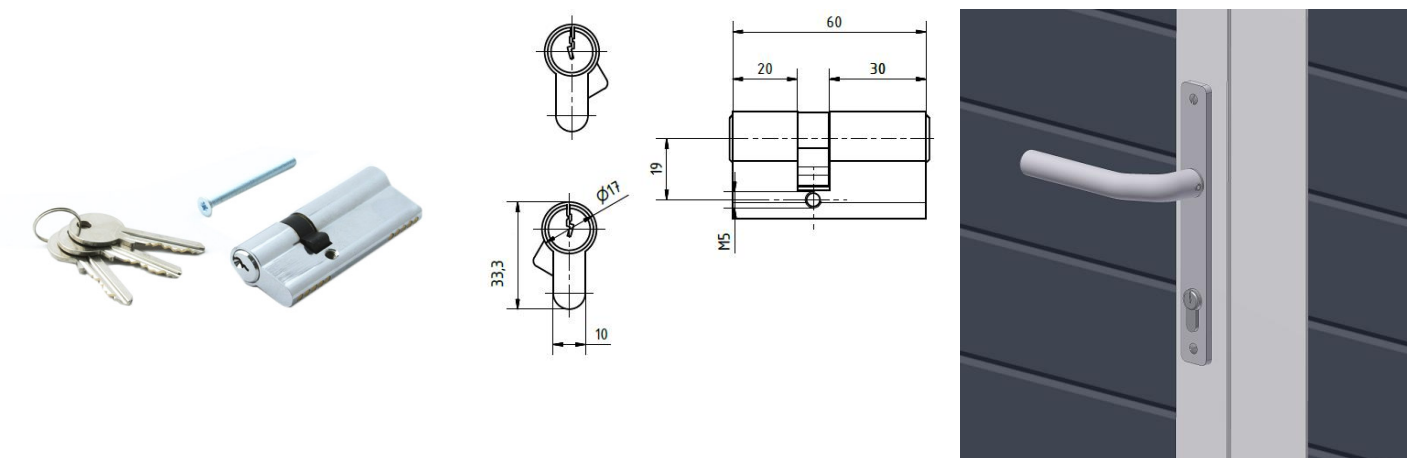


C60-3020-2 Euro-cylinder

Images:



Description:

- Subcategory	: 06. SafeStep locks
- IND/RES	: BOTH
- Full package quantity	: 5
- Unit	: piece (1)
- Weight / Unit	: 0,5kg
- Material	: Galvanised Steel
- Height	: 33,3mm
- Width	: 10mm
- Product Family	: a 101
- Eurocylinder	: Yes
- Outside diameter	: 17mm
- Commercial description	: pass door lock, DIN18252