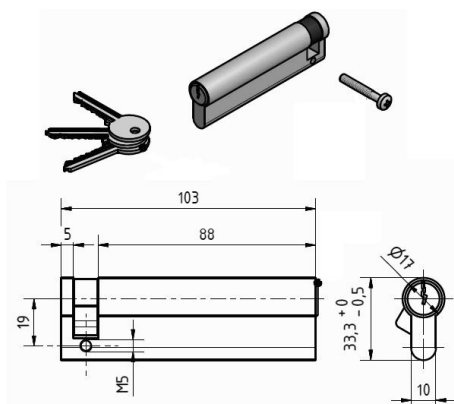


## C103-8805-1 Euro-cylinder

### Images:



### Description:

- |                          |   |
|--------------------------|---|
| - Subcategory            | : 04. Others  |
| - IND/RES                | : IND   |
| - Full package quantity  | : 10  |
| - Unit                   | : piece (1)   |
| - Weight / Unit          | : 0,2kg   |
| - Material               | : Galvanised Steel  |
| - Width                  | : 461,5mm   |
| - Thickness              | : 80mm  |
| - Product Family         | : a 040   |
| - Eurocylinder           | : Yes   |
| - Keyhole                | : Yes   |
| - Commercial description | : 80mm panel, DIN18252  |
| - Technical description  | : Key-operated from 1 side. Delivery consists of cilinder, 3 keys and M5 bolt |