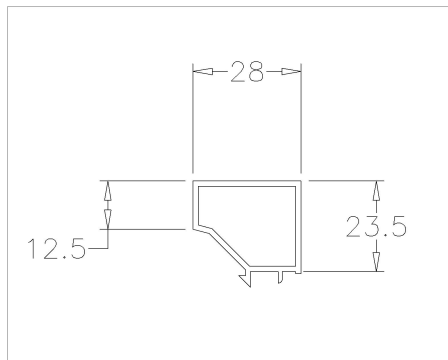
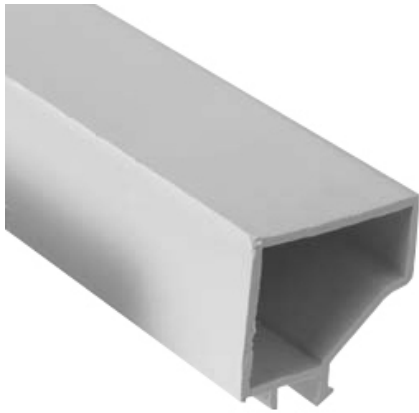


## APE6000 Glass lath, PVC

### Images:



### Description:

- Subcategory	: 03. Full Vision
- IND/RES	: IND
- Full package quantity	: 25
- Unit	: piece (1)
- Weight / Unit	: 1,2kg
- Material	: PVC
- Colour	: Grey
- Height	: 23,5mm
- Length	: 6000mm
- Width	: 28mm
- Product Family	: a 058
- Commercial description	: PVC, wide L = 6000mm
- Technical description	: After assembly, the glass laths are closely aligned with the interior of the Aluminium-glass section. This version is suitable for single glazing