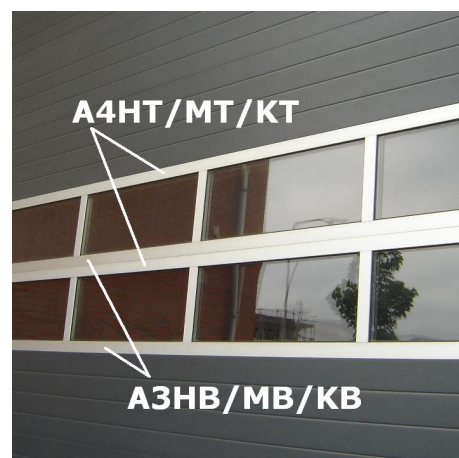
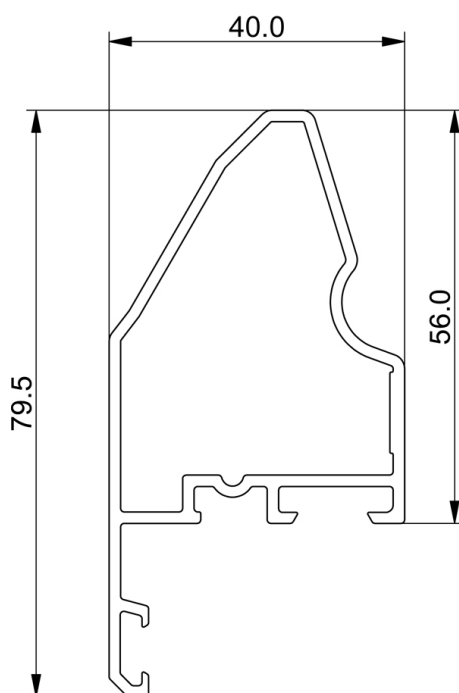
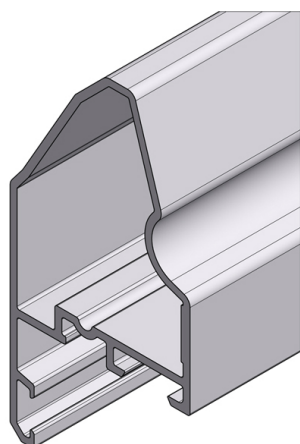


A4ET7200 Upper profile

Images:



Description:

- Subcategory	: 03. Full Vision
- IND/RES	: BOTH
- Full package quantity	: 50
- Unit	: piece (1)
- Weight / Unit	: 6,6kg
- Material	: Anodised Aluminium
- Height	: 79,5mm
- Length	: 7200mm
- Width	: 40mm
- Product Family	: a 042
- Fingersafe	: Yes
- Panel brand	: Epco
- Panel thickness	: 40mm
- Commercial description	: finger-safe, EPCO, L=7200mm
- Technical description	: To combine our full vision kits with finger-safe sections we introduce finger-safe lower profile (B) and top profiles (T). Fits perfectly with our current line of full vision products.