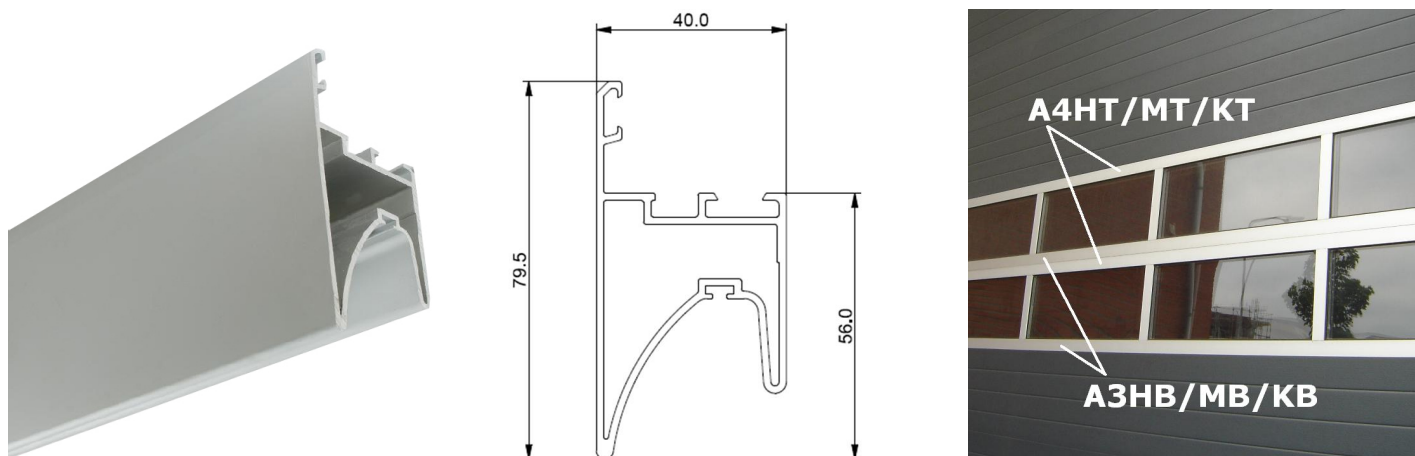


## A3MB7200 Lower profile

### Images:



### Description:

- |                          |  |
|--------------------------|--|
| - Subcategory            | : 03. Full Vision  |
| - IND/RES                | : BOTH   |
| - Full package quantity  | : 50   |
| - Unit                   | : piece (1)  |
| - Weight / Unit          | : 8,2kg  |
| - Material               | : Anodised Aluminium   |
| - Height                 | : 79,5mm   |
| - Length                 | : 7200mm   |
| - Width                  | : 40mm   |
| - Product Family         | : a 040  |
| - Fingersafe             | : Yes  |
| - Panel brand            | : Metecno / Tecsedo / Marcegaglia / Italpannelli   |
| - Panel thickness        | : 40mm   |
| - Commercial description | : finger-safe, Metecno, Italpannelli etc., L=7200mm  |
| - Technical description  | : To combine our full vision kits with finger-safe sections we introduce finger-safe lower profile (B) and top profiles (T). Fits perfectly with our current line of full vision products. |