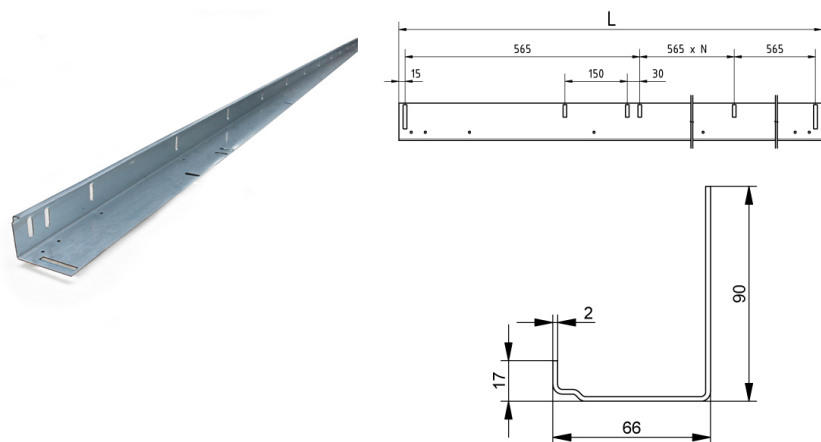


## 9VL-H5680 Angle

Images:



### Description:

- |                          |  |
|--------------------------|--|
| - Subcategory            | : Bolted tracks, Vertical Angles   |
| - IND/RES                | : IND  |
| - Full package quantity  | : 25   |
| - Unit                   | : piece (1)  |
| - Weight / Unit          | : 11,08kg  |
| - Material               | : Galvanised Steel   |
| - Height                 | : 66mm   |
| - Length                 | : 5680mm   |
| - Width                  | : 90mm   |
| - Thickness              | : 2mm  |
| - Product Family         | : a 157§   |
| - Commercial description | : Universal left/right. See ISC technical handbook for system details  |
| - Technical description  | : The flange of 66mm has slotted holes 10,5x20mm every 300mm. The flange of 90mm has 2 slotted holes 9x40mm on both ends and each 565mm a slotted hole 9x30mm. Use for ISC bolted tracks. Always cut from the bottom, to keep the hole pattern in place. |