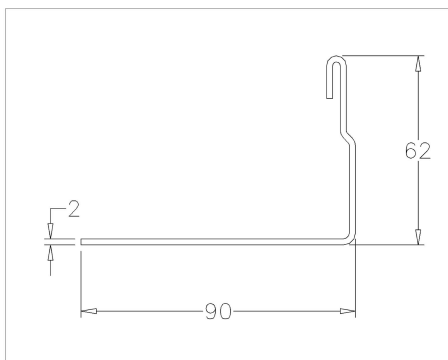
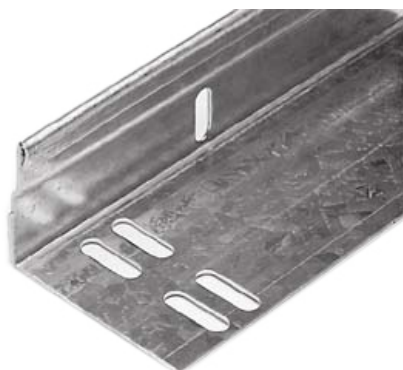


## 9VB6500 Angle

Images:



Description:

- Subcategory	: 02. Vertical Angles 2mm
- IND/RES	: IND
- Full package quantity	: 50
- Unit	: piece (1)
- Weight / Unit	: 16,9kg
- Material	: Galvanised Steel
- Height	: 62mm
- Length	: 6500mm
- Width	: 90mm
- Thickness	: 2mm
- Product Family	: a 015
- Technical description	: The flange of 62mm has slotted holes 9x25mm every 300mm. The flange of 90mm has on both ends 4 slotted holes 9x25mm. The vertical angle is suitable for side seal 1085, 1094-40. Other lengths available on request.