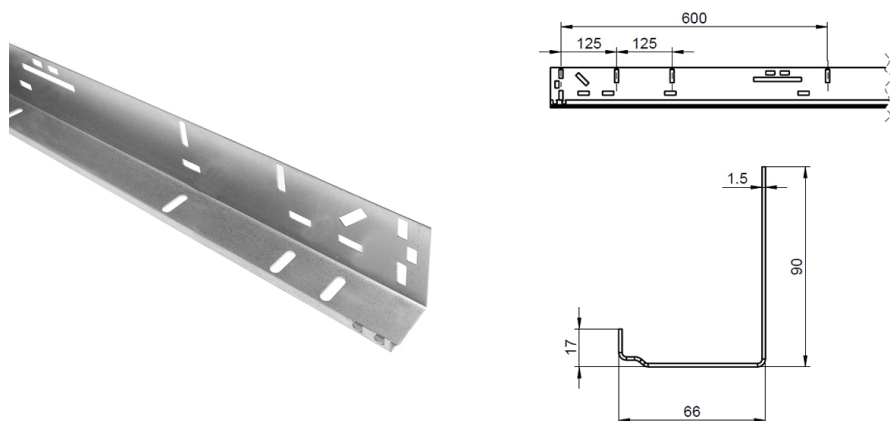


915VL-H2560 Vertical angle profile

Images:



Description:

- | | |
|--------------------------|---|
| - IND/RES | : RES |
| - Full package quantity | : 50 |
| - Unit | : piece (1) |
| - Weight / Unit | : 9,81kg |
| - Material | : Galvanised Steel |
| - Height | : 90mm |
| - Length | : 2560mm |
| - Width | : 66mm |
| - Thickness | : 1,5mm |
| - Product Family | : a 001 |
| - Commercial description | : RSC bolted, VL vertical angle profile, 66x90x1,5, 2560mm, galvanized |
| - Technical description | : Vertical angle profile for mounting tracks to the wall. VL shape. The length of the profile can be shortend by 2x 125mm without losing holes. |