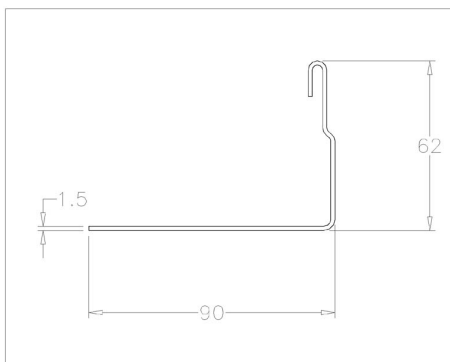


## 915VB5100 Angle

Images:



### Description:

- |                         |                                                                                                                                                                                                                                  |
|-------------------------|----------------------------------------------------------------------------------------------------------------------------------------------------------------------------------------------------------------------------------|
| - Subcategory           | : 01. Vertical Angles 1,5mm                                                                                                                                                                                                      |
| - IND/RES               | : RES                                                                                                                                                                                                                            |
| - Full package quantity | : 50                                                                                                                                                                                                                             |
| - Unit                  | : piece (1)                                                                                                                                                                                                                      |
| - Weight / Unit         | : 9,95kg                                                                                                                                                                                                                         |
| - Material              | : Galvanised Steel                                                                                                                                                                                                               |
| - Height                | : 62mm                                                                                                                                                                                                                           |
| - Length                | : 5100mm                                                                                                                                                                                                                         |
| - Width                 | : 90mm                                                                                                                                                                                                                           |
| - Thickness             | : 1,5mm                                                                                                                                                                                                                          |
| - Product Family        | : a 006                                                                                                                                                                                                                          |
| - Technical description | : The flange of 62mm has slotted holes 9x25mm every 300mm.<br>The flange of 90mm has 3 slotted holes 9x25mm on both ends<br>. The vertical angle is suitable for side seal 1085, 1094-40.<br>Other lengths available on request. |