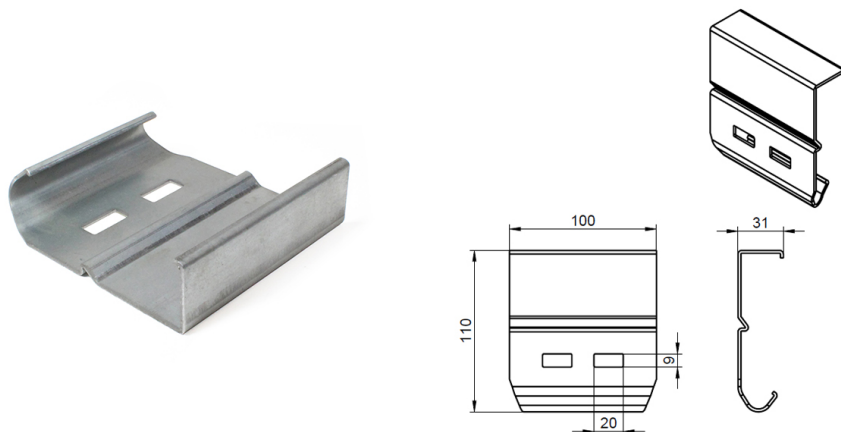


## 870RSHD Connection socket

Images:



Description:

- IND/RES	: RES
- Full package quantity	: 100
- Unit	: piece (1)
- Weight / Unit	: 0,249kg
- Material	: Galvanised Steel
- Height	: 110mm
- Length	: 100mm
- Width	: 31mm
- Thickness	: 2mm
- Product Family	: a 001
- Commercial description	: RSC Bolted, horizontal track, connection socket
- Technical description	: The connection between the two horizontal tracks and the loose curve.