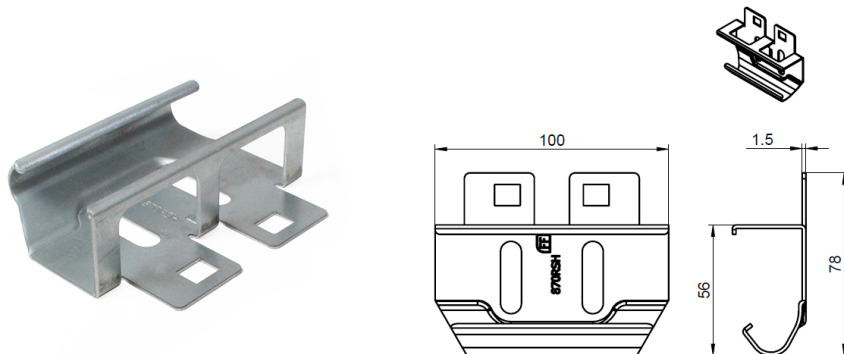


870RSH Connection socket

Images:



Description:

- IND/RES	: RES
- Full package quantity	: 120
- Unit	: piece (1)
- Weight / Unit	: 0,113kg
- Material	: Galvanised Steel
- Height	: 78mm
- Length	: 100mm
- Width	: 35mm
- Thickness	: 1,5mm
- Product Family	: a 001
- Commercial description	: RSC bolted, vertical track, connection socket
- Technical description	: This socket is positioned at the end of the roller track in the vertical track assembly. It's designed to secure the best track transition and to make positioning of the curve as convenient as possible by being a slide in socket that holds the curve in place.