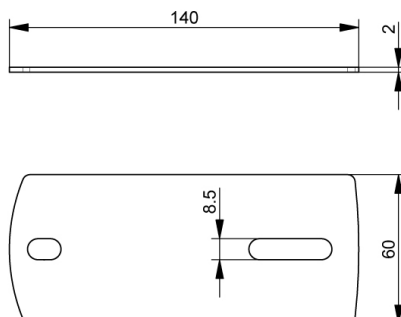


## 870H14 Curve support plate, with holes

Images:



Description:

|                          |  |
|--------------------------|--|
| - Subcategory            | : 03. ISC bolted tracks  |
| - IND/RES                | : IND  |
| - Full package quantity  | : 125  |
| - Unit                   | : piece (1)  |
| - Weight / Unit          | : 0,125 kg   |
| - Material               | : Galvanised Steel   |
| - Length                 | : 140mm  |
| - Width                  | : 60mm   |
| - Thickness              | : 2mm  |
| - Product Family         | : a 007§   |
| - Track width            | : 2"   |
| - Marking                | : 870H14 FF  |
| - Commercial description | : Part of ISC bolted tracks, for 40-80mm panels  |
| - Technical description  | : ISC tracksets are applied with a fixed lower and upper wedge.<br>See technical handbook for track details. Use this plate for<br>wedge sizes 136-160mm |