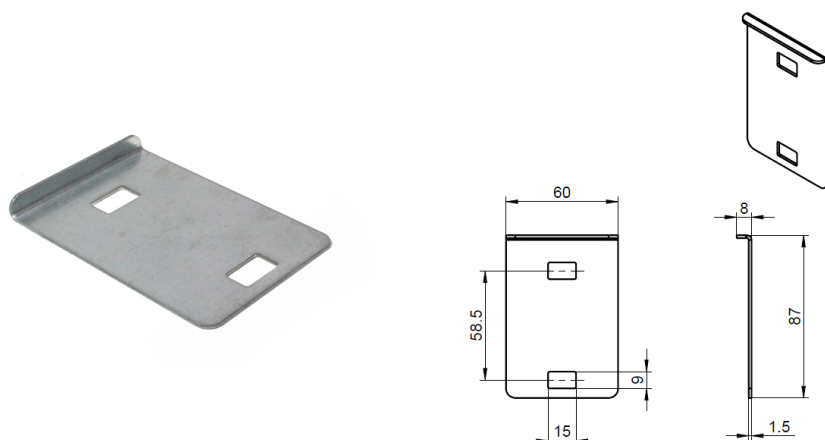


835H Connection plate

Images:



Description:

- IND/RES	: RES
- Full package quantity	: 200
- Unit	: piece (1)
- Weight / Unit	: 0,062kg
- Material	: Galvanised Steel
- Height	: 87mm
- Length	: 60mm
- Width	: 8mm
- Thickness	: 1,5mm
- Product Family	: a 001
- Commercial description	: RSC Bolted, horizontal track connection plate
- Technical description	: The connection plate for the horizontal tracks