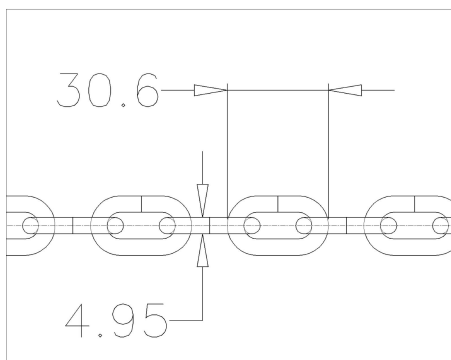


723A25 Hand chain

Images:



Description:

- Subcategory : 02. Others
- IND/RES : IND
- Full package quantity : 25
- Unit : Meters (1)
- Weight / Unit : 0,5kg
- Material : Galvanised Steel
- Product Family : 6 Chain hoists
- Shaft Size : 1"
- Commercial description : New packaging
- Technical description : The hand chain is suitable for chain hoist 721A, 722A, 724, 725, 720-2/3/4. The dimensions are designed special for these types of chain hoists.