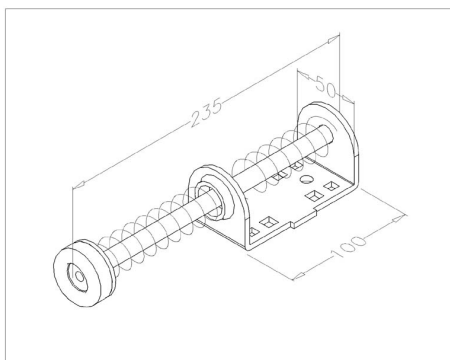


718EPS Spring bumper

Images:



Description:

- Subcategory	: 01. Bumpers
- IND/RES	: IND
- Full package quantity	: 40
- Unit	: piece (1)
- Weight / Unit	: 0,49kg
- Material	: Galvanised Steel
- Length	: 235mm
- Width	: 50mm
- Product Family	: a 003
- Technical description	: The bumpers are provided with a rubber stop. Supplied with fixing material excl. mounting plates. Functions as cable tension device on Normal Lift and LHR.