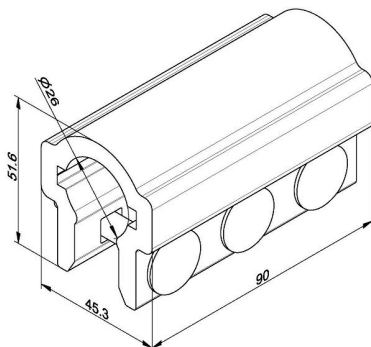


## 708S90 Coupler

Images:



Description:

- Subcategory	: 02. Fixed
- IND/RES	: IND
- Full package quantity	: 25
- Unit	: piece (1)
- Weight / Unit	: 0,31kg
- Material	: Aluminium
- Height	: 51,6mm
- Length	: 90mm
- Width	: 45,3mm
- Product Family	: a 005
- Adjustable	: No
- Inside diameter	: 26mm
- Keyway	: Yes
- Max. torque	: 290Nm
- Shaft Size	: 1"
- Marking	: 708S90 FF
- Commercial description	: Replaces 708-90
- Technical description	: Suitable for 1 inch shafts, including 3 assembled M8 bolts/nuts. Max torque bolts 35Nm.