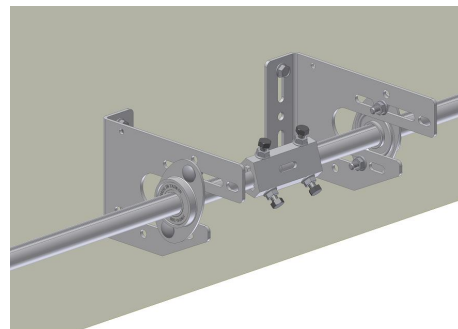
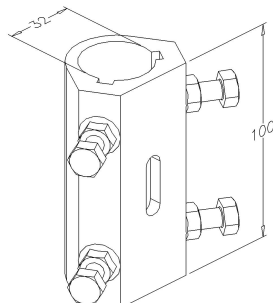


706ST100 Coupler

Images:



Description:

- Subcategory	: 02. Fixed
- IND/RES	: IND
- Full package quantity	: 20
- Unit	: piece (1)
- Weight / Unit	: 0,73kg
- Material	: Galvanised Steel
- Length	: 100mm
- Product Family	: a 009
- Adjustable	: No
- Inside diameter	: 32mm
- Keyway	: Yes
- Max. torque	: 326Nm
- Shaft Size	: 1 1/4"
- Marking	: FF 706ST100
- Technical description	: Suitable for 1,25 inch shaft. Cast steel, plated (galvanised) afterwards. Equipped with M8 bolts and a contra-nut (both key 13). Equipped with long slotted hole, to check proper positioning of the shafts.