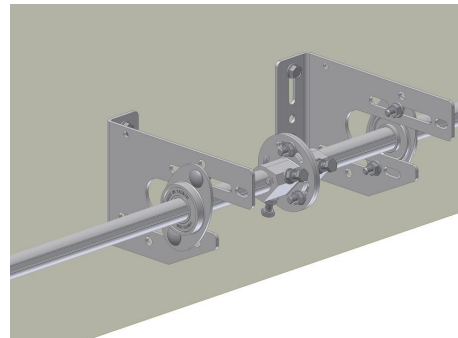
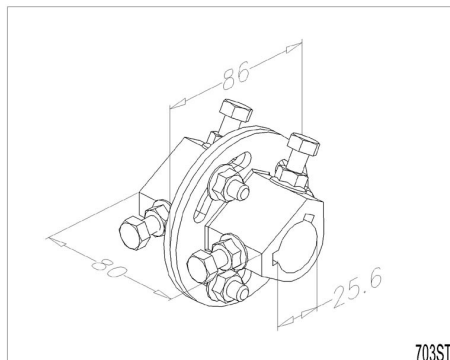
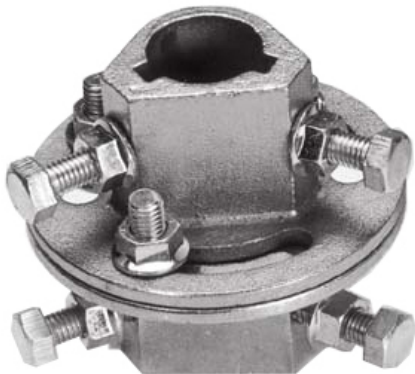


703ST Coupler

Images:



Description:

- Subcategory	: 01. Adjustable
- IND/RES	: BOTH
- Full package quantity	: 15
- Unit	: piece (1)
- Weight / Unit	: 0,73kg
- Material	: Galvanised Steel
- Length	: 80mm
- Width	: 86mm
- Product Family	: a 001
- Adjustable	: Yes
- Inside diameter	: 25,6mm
- Keyway	: Yes
- Max. torque	: 290Nm
- Shaft Size	: 1"
- Marking	: FF 703ST
- Technical description	: Suitable for 1 inch shafts. Cast steel, plated (galvanised) afterwards. Coupler halves attached together with M8 bolts/nuts (class 12.9, 35Nm)